

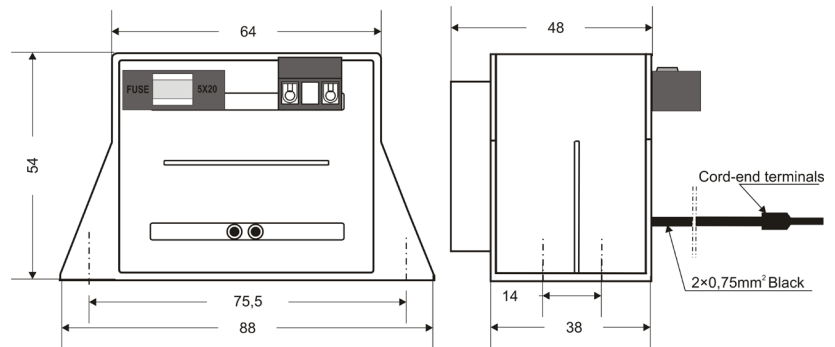
POWER: 30VA

Features

- Epoxy resin cast
- Two chambers bobbin
- Insulation primary-secondary: 4KV-1p
- Increased humidity resistance

Manufacturing standard: EN 61558

- Safety insulation transformer
- Max. ambient temperature: t_a 50°C
- Insulation class: B 130°C
- Degree of protection: IP00
- Non-inherently short-circuit proof



- The mains voltage may be 10% higher or lower than the nominal one so the power of the transformer has to be chosen accordingly.
 - The tests of transformers according to the standard EN61558-1 chapter 27.2 were not carried out because the final design of the cover can affect the result. The chapter 27.2 does not concern to the IP00 protection.
 - The threshold temperature at abnormal operating conditions is the temperature which has to be taken into consideration if the transformer is built in a device.
- Non-inherently short-circuit proof transformer in case of insulation class "B": 225 °C

Application

- For power supply of safeguarding centres
- For power supply of other electrical devices

Usage features

- Direct fixing possibility to metal part.
- Built-in primary fuse.
- Terminal block connection at primary side with max. 1.5 mm² wire
- Connection at secondary side with 0.75 mm² and 35 cm long wire

Model number	Primary voltage	Secondary voltage	Secondary current
ME.TRE-30.60212/BSV 30VA	230V-50Hz	12 V	2,50 A
ME.TRE-30.60216/BSV 30VA	230V-50Hz	16.5 V	1,81 A
ME.TRE-30.60218/BSV 30VA	230V-50Hz	18 V	1,66 A
ME.TRE-30.60224/BSV 30VA	230V-50Hz	24 V	1,25 A
ME.TRE-30.60240/BSV 30VA	230V-50Hz	40 V	0,75 A
Prescribed primary circuit fuse: 250 mA T			
Tolerance of secondary voltage: 5%			