

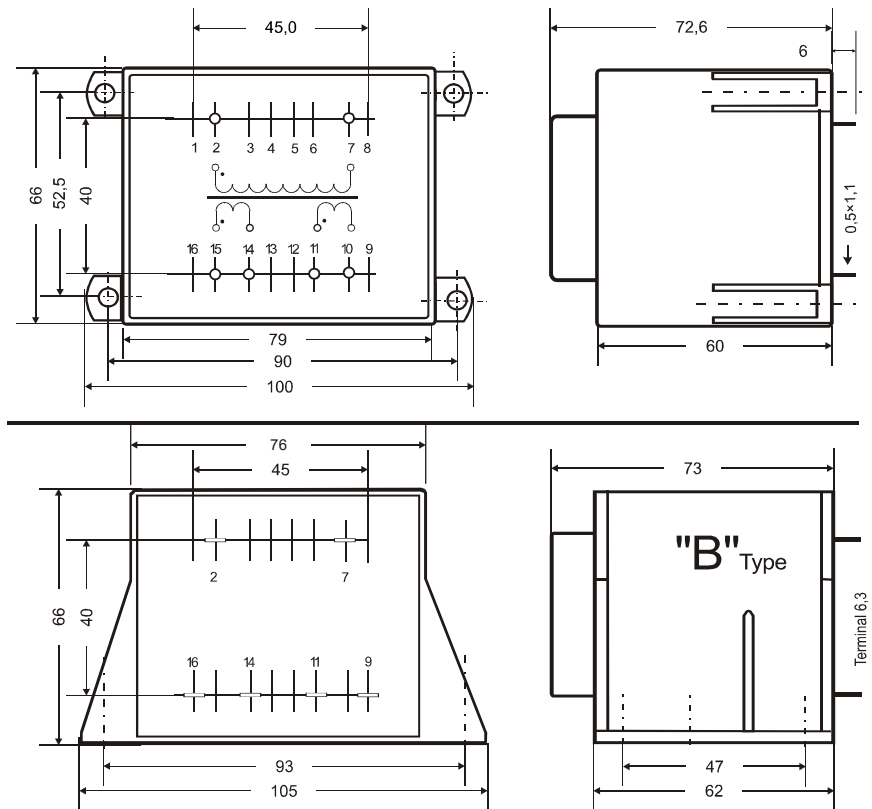
**TYPE: ME.TRE-75 75VA**  
**CORE SIZE: EI75/41,5**

**Features**

- Epoxy resin cast
- Two chambers bobbin
- Insulation primary-secondary: 4KV
- Increased humidity resistance

**Manufacturing standard: EN 61558**

- Safety insulation transformer
- Max. ambient temperature:  $t_a$  70°C
- Insulation class: B 130°C
- Degree of protection: IP00
- Not short-circuited



- The mains voltage may be 10% higher or lower than the nominal one so the power of the transformer has to be chosen accordingly.
  - The tests of transformers according to the standard EN61558-1 chapter 27.2 were not carried out because the final design of the cover can affect the result. The chapter 27.2 does not concern to the IP00 protection.
  - The threshold temperature at abnormal operating conditions is the temperature which has to be taken into consideration if the transformer is built in a device.
- Not short-circuit proof design, Insulation class: B/225 °C

**Application**

- PCB mounting installation
- “B” version to fitting

**Ordering codes**

- “N” without fixing possibility
- “K” with fixing possibility
- “B” vertical mounting version

*Deviation of secondary voltages 5%*  
*Prescribed primary circuit fuse 500mA T*

Modell number	Primary voltage	Pin configuration	Secondary voltage	Pin configuration	Secondary current
ME.TRE-75.75406/	230 V	2-7	6 V	11-14	12.50 A
ME.TRE-75.754075/	230 V	2-7	7.5 V	11-14	10.00 A
ME.TRE-75.75409/	230 V	2-7	9 V	11-14	8.33 A
ME.TRE-75.75412/	230 V	2-7	12 V	11-14	6.25 A
ME.TRE-75.754135/	230 V	2-7	13.5 V	11-14	5.55 A
ME.TRE-75.75415/	230 V	2-7	15 V	11-14	5.00 A
ME.TRE-75.75418/	230 V	2-7	18 V	11-14	4.16 A
ME.TRE-75.75424 /	230 V	2-7	24 V	11-14	3.12 A

ME.TRE-75.75406-2/	230 V	2-7	2×6 V	10-11 14-15	2×6.25 A
ME.TRE-75.75475-2/	230 V	2-7	2×7.5 V	10-11 14-15	2×5.00 A
ME.TRE-75.75409-2/	230 V	2-7	2×9 V	10-11 14-15	2×4.16 A
ME.TRE-75.75412-2/	230 V	2-7	2×12 V	10-11 14-15	2×3.12 A
ME.TRE-75.754135-2/	230 V	2-7	2×13.5 V	10-11 14-15	2×2.77 A
ME.TRE-75.75415-2/	230 V	2-7	2×15 V	10-11 14-15	2×2.50 A
ME.TRE-75.75418-2/	230 V	2-7	2×18 V	10-11 14-15	2×2.08 A
ME.TRE-75.75424-2/*	230 V	2-7	2×24 V	10-11 14-15	2×1.56 A

\*Certified as insulation transformer